

High-Aluminium Zinc alloys (AX alloys)

Technical Datasheet

Uses

High-Aluminium Zinc alloys to supply or maintain the aluminium content of the zinc bath for hot-dip galvanization of fabricated products and continuous galvanizing of tube, wire or sheet. Alloy with an Al content selected to give the best aluminium incorporation efficiency.

Chemical specification

Chemical composition	A5 (jumbos)	A5 (slabs)	A10 (slabs)	A15 (slabs)
Al	4.0 – 5.0%	4.7 – 5.3%	9.5 – 10.5%	14 – 16%
Pb	≤ 0.01%	≤ 0.01%	≤ 0.01%	≤ 0.01%
Cd	≤ 0.003%	≤ 0.003%	≤ 0.003%	≤ 0.003%
Fe	≤ 0.02%	≤ 0.02%	≤ 0.02%	≤ 0.035%
Sn	≤ 0.001%	≤ 0.001%	≤ 0.001%	≤ 0.001%
Cu	≤ 0.001%	≤ 0.03%	≤ 0.03%	≤ 0.03%
Mg	≤ 0.002%	≤ 0.02%	≤ 0.02%	≤ 0.02%
Zn	balance	balance	balance	balance

Physical data

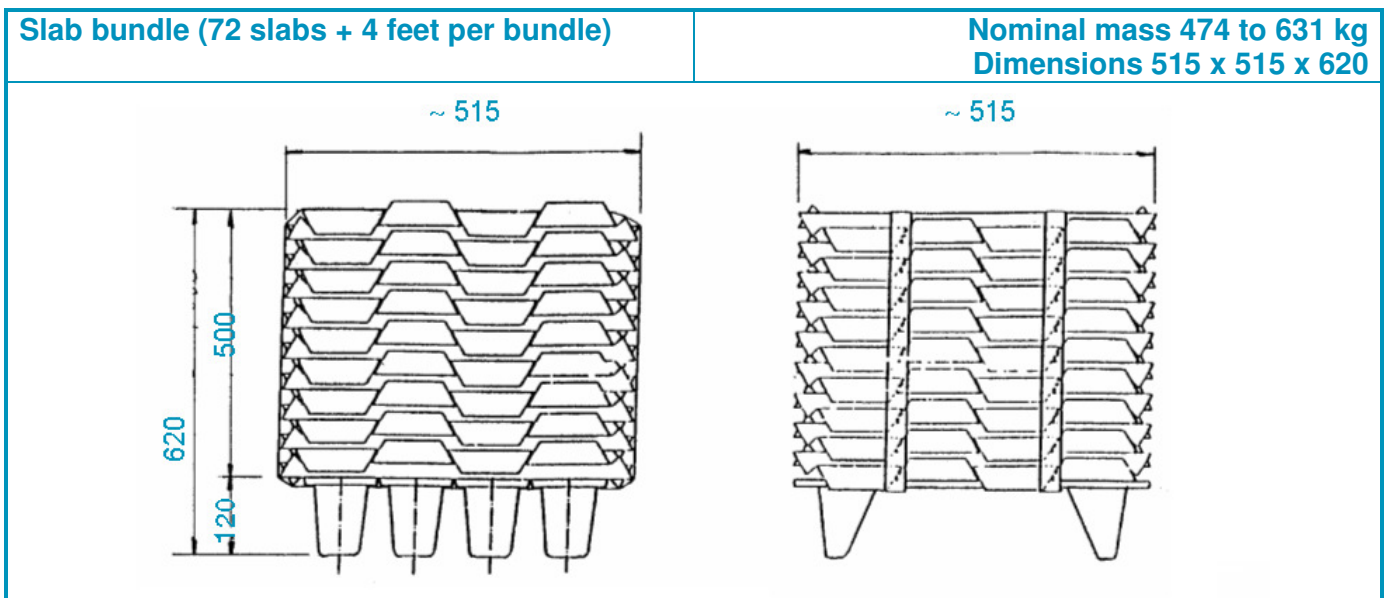
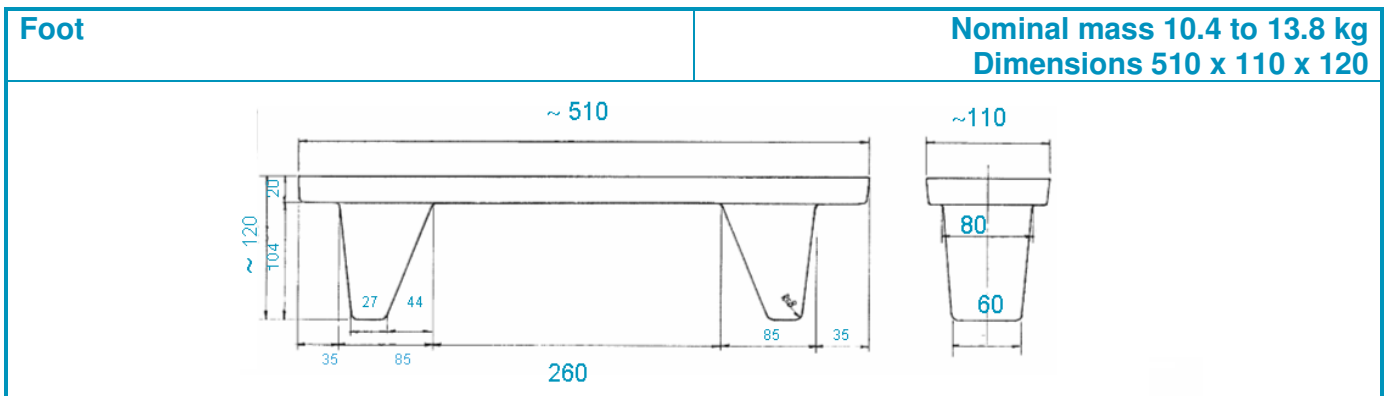
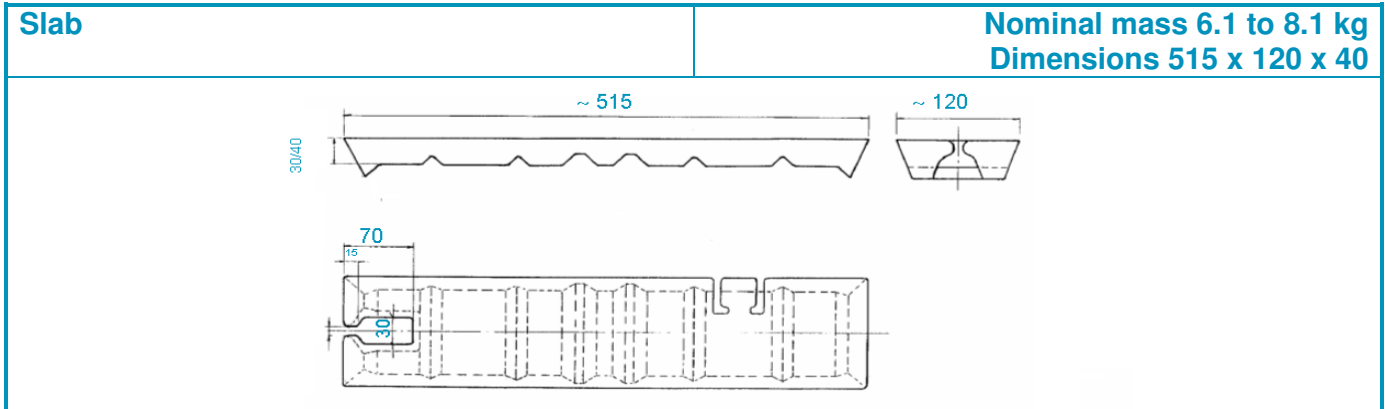
Physical property	A5	A10	A15
Density (kg/dm ³)			
solid (at 20°C)	6.5	6.1	5.6
liquid (at 419°C)	6.1		
Solidification range (°C)	382-385	382-422	382-450

Available shapes/package

Shape/package	Nominal weight (in kg)	Dimensions (in mm)
Slabs		
Slab	6.1 – 8.1	515 x 120 x 40
Foot	10.4 – 13.8	510 x 110 x 120
Slab bundle (72 + 4 slabs per bundle)	474 – 631	515 x 515 x 620
Jumbos		
900 kg	900 ± 50	1054 x 565 x 315
1325 kg	1325 ± 100	1532 x 567 x 307

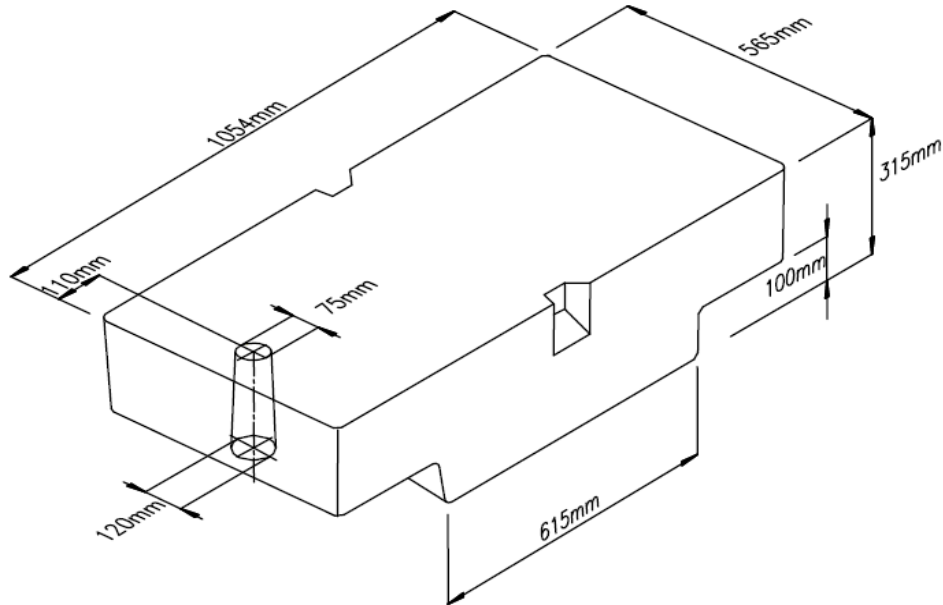
High-Aluminium Zinc alloys (AX alloys)

Technical Datasheet



High-Aluminium Zinc alloys (AX alloys)

Technical Datasheet

Block (Jumbo) 900 kg**Nominal mass 900 ± 50 kg**
Dimensions 1054 x 565 x 315**Block (Jumbo) 1325 kg****Nominal mass 1325 ± 100 kg**
Dimensions 1532 x 567 x 307