

# ZnNi0.5% (Technigalva®)

## Technical Datasheet

### Uses

Pre-alloyed (lead free) Zinc-Nickel alloy suitable for hot dip galvanising of iron and steel products.

### Chemical specification

Chemical specification	Guaranteed analysis	Tolerance
Ni	0.50%	± 0.05%
Pb	≤ 0.010%	
Cd	≤ 0.003%	
Fe	≤ 0.005%	
Sn	≤ 0.005%	
Cu	≤ 0.001%	
Al	≤ 0.005%	
Zn	balance	

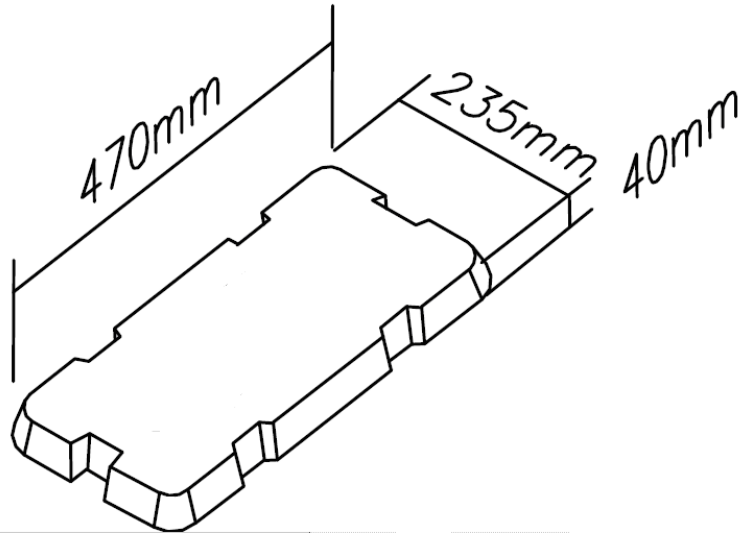
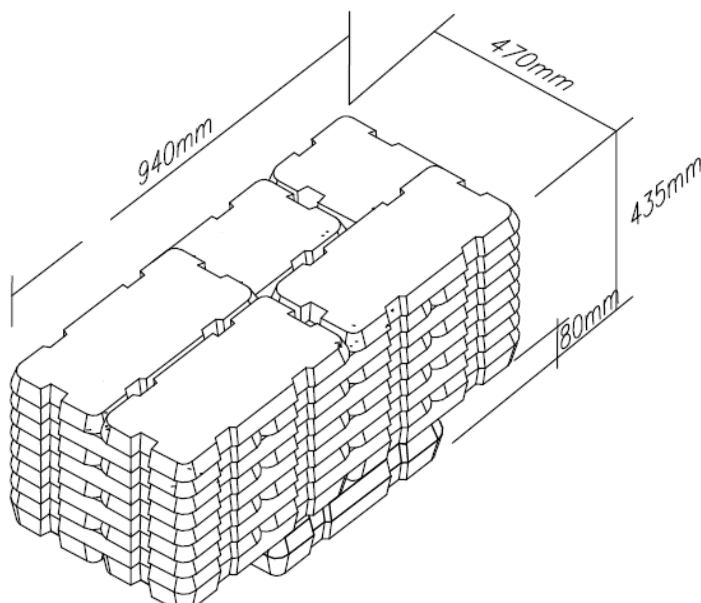
### Physical data

Physical property	Unit	Value
Density solid	kg/dm <sup>3</sup>	7.14
liquid (@ 419 °C)	kg/dm <sup>3</sup>	6.62
Melting point	°C	419
Superficial tension (@ 450 °C)	N/m	0.78
Melting enthalpy	kJ/kg	100
Thermal capacity solid	J/kg K	460
liquid	J/kg K	628

### Available shapes/package

Shape/package	Nominal weight (in kg)	Dimensions (in mm)
Slab	25	470 x 235 x 40
Slab Bundle (40 slabs per bundle) Colour marking: sky blue	1000 ± 100	940 x 470 x 435
Block Jumbo 1450 kg Colour marking: dark blue Nickel symbol	1400 ± 100	1532 x 567 x 307

# ZnNi0.5% (Technigalva®) Technical Datasheet

**Slab****Nominal mass 25 kg**  
**Dimensions 470 x 235 x 40****Slab bundle (40 slabs per bundle)****Nominal mass 1000 ± 100 kg**  
**Dimensions 940 x 470 x 435**

# ZnNi0.5% (Technigalva®) Technical Datasheet

Block (Jumbo) 1450 kg

Nominal mass  $1400 \pm 100$  kg  
Dimensions 1532 x 567 x 307

