

ZnNi0.5%Bi0.15% (Technigalva[®] Plus)

Technical Datasheet

Uses

Pre-alloyed (lead free) Zinc-Nickel-Bismuth alloy suitable for hot dip galvanising of iron and steel products.

Chemical specification

| Chemical specification | Guaranteed analysis | Tolerance |
|------------------------|---------------------|-----------|
| Ni | 0.50% | ± 0.05% |
| Bi | 0.15% | ± 0.03% |
| Pb | ≤ 0.020% | |
| Cd | ≤ 0.003% | |
| Fe | ≤ 0.005% | |
| Sn | ≤ 0.005% | |
| Cu | ≤ 0.003% | |
| Al | ≤ 0.005% | |
| Zn | balance | |

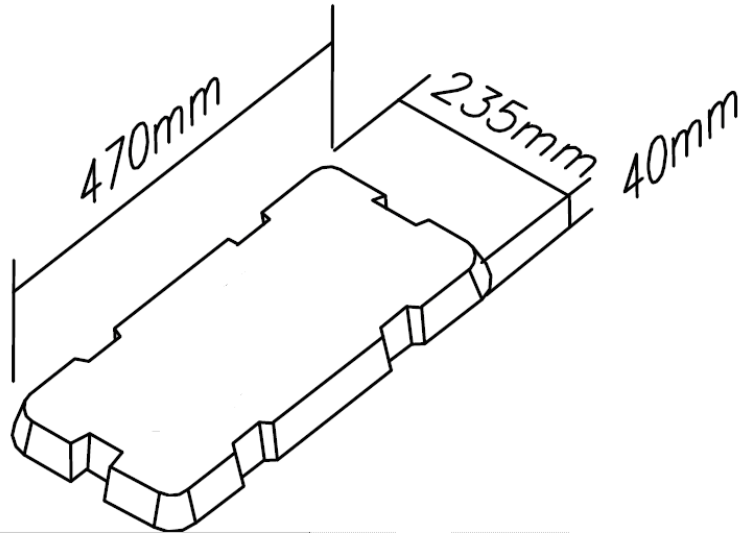
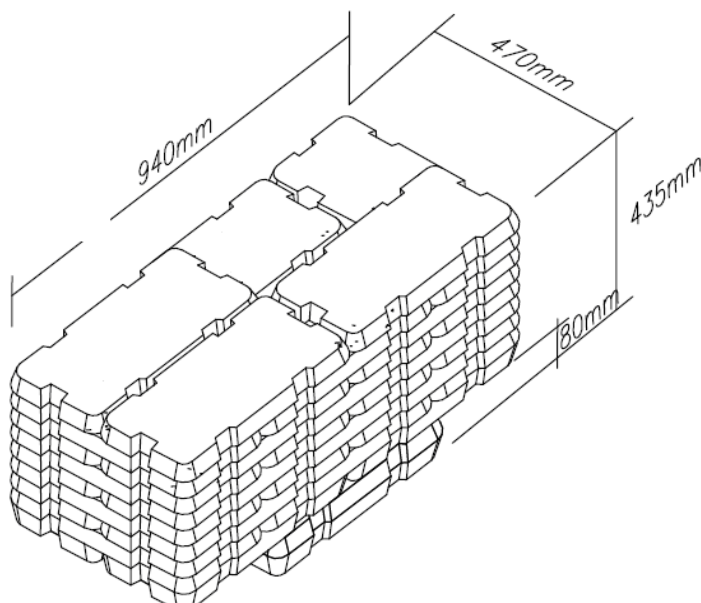
Physical data

| Physical property | Unit | Value |
|--------------------------------|--------------------|-------|
| Density solid | kg/dm ³ | 7.14 |
| liquid (@ 419 °C) | kg/dm ³ | 6.62 |
| Melting point | °C | 419 |
| Superficial tension (@ 450 °C) | N/m | 0.78 |
| Melting enthalpy | kJ/kg | 100 |
| Thermal capacity solid | J/kg K | 460 |
| liquid | J/kg K | 628 |

Available shapes/package

| Shape/package | Nominal weight (in kg) | Dimensions (in mm) |
|---|------------------------|--------------------|
| Slab | 25 | 470 x 235 x 40 |
| Slab Bundle (40 slabs per bundle) Colour marking: black | 1000 ± 100 | 940 x 470 x 435 |
| Block Jumbo 1450 kg Colour marking: dark blue Nickel symbol orange stripe | 1400 ± 100 | 1532 x 567 x 307 |

ZnNi0.5%Bi0.15% (Technigalva® Plus) Technical Datasheet

Slab**Nominal mass 25 kg**
Dimensions 470 x 235 x 40**Slab bundle (40 slabs per bundle)****Nominal mass 1000 ± 100 kg**
Dimensions 940 x 470 x 435

ZnNi0.5%Bi0.15% (Technigalva® Plus) Technical Datasheet

Block (Jumbo) 1450 kg

Nominal mass 1400 ± 100 kg
Dimensions 1532 x 567 x 307

